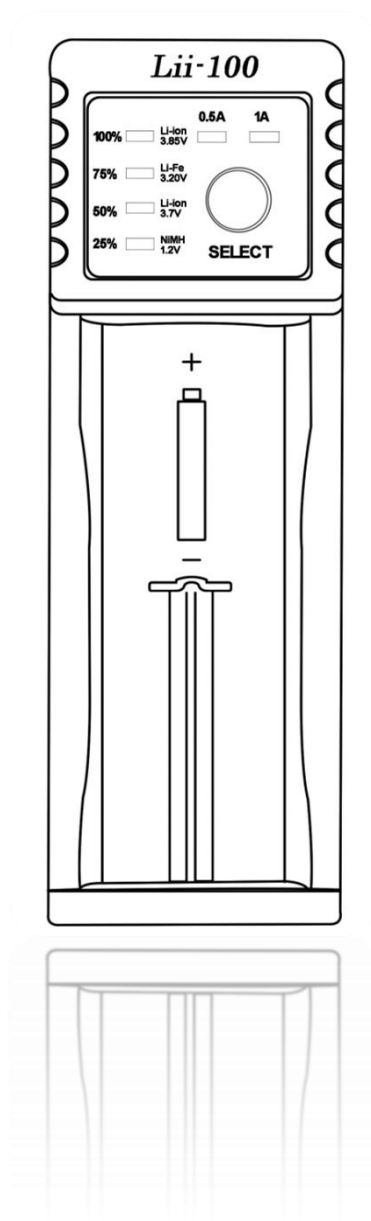


# Lii-100

Smart Multifunctional Battery Charger



## USER MANUAL

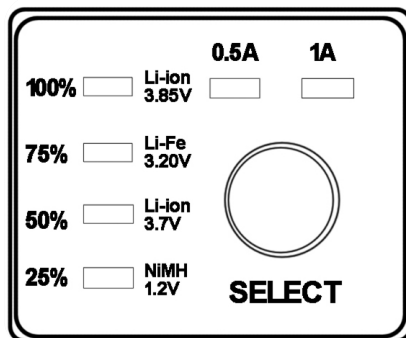
This charger is designed for portable, flexible and multi types of battery. It can detect the battery type and charge the battery automatically under your selected charging current. Built-in LED indicators to display the charging status and 5V/100mAh USB output function.

### Features:

- One-slot charging and management system, Micro USB DC 5V input port
- 500mAh/1000mAh charging current for selection
- Built-in LED indicator shows the charging status 25% - 50% - 75% - 100%
- Identify Li-ion and Ni-MH battery automatically  
MUST fix the charging mode to **Li-Fe** when you charge LiFePO4 battery or 3.85V Li-Ion battery  
(Identify 1.2V Ni-MH/3.7V Li-ion battery automatically and select manually for 3.85V battery Li-ion and LiFePO4 battery)
- Refresh function for 0V battery
- **CAN'T charge battery type of 1.6-2.2V**
- Over-charging and over-discharge protection
- Identify broken/defective battery
- Polarity- reverse protection
- Charging under constant voltage and current
- Built with 5V/1000mAh output port

### Operations:

- There's a 'SELECT' button for choosing the charging mode and charging current
  - ◆ Long press the 'SELECT' button for 3 seconds to change the charging current, you can change the charging current at any time
  - ◆ Short press the 'SELECT' button to change the charging mode, it can identify the 1.2V/3.7V li-ion and Ni-MH automatically. You need to change the mode for 3.85V li-ion and LiFePO4 battery
  - ◆ It begins to charge the battery 5 seconds after your settings



- Connect the 5V input port with USB cable, the LED indicator of 0.5A on when no battery is inserted. When broken battery inserted, the charge will have no any response.
- LED indicators keeps flickering when a broken battery is inserted
- It can show the battery type by click the 'SELECT' button at any time during charging

### Specifications

**IN:5V**

- ◆ Input Power: Micro USB DC 5V/1A

- ◆ Output voltage: 4.2V  $\pm$ 1% / 5V
- ◆ Output current: 500mAh / 1000mAh
- ◆ Constant charging with cut-off current less than 100mAh
- ◆ Standby current: No more than 15mAh

***OUT:5V***

- ◆ USB output open-circuit voltage:4.90-5.30V
- ◆ Output voltage: 1000mAh and output voltage is 4.75-5.25V
- ◆ Cut-off voltage for output: 3.0 $\pm$ 0.1V;

***Compatible Batteries:***

- ◆ Li-ion / IMR: 18650, 18490, 18350, 17670, 17500, 16340(RCR123), 14500, 10440

***Size(cm)/Weight(grams):***

- ◆ Length 112mm x Width 37mm x Height 32mm
- ◆ 45 grams (charger) + 17grams (USB cable) included in delivery

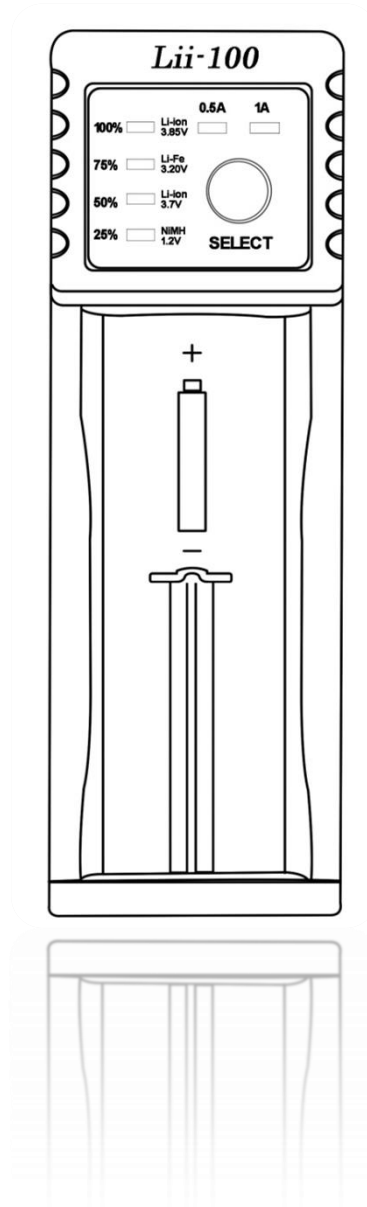


Design and made in China

Contact distributor for more information or support

# Lii-100

迷你多功能电池充电器



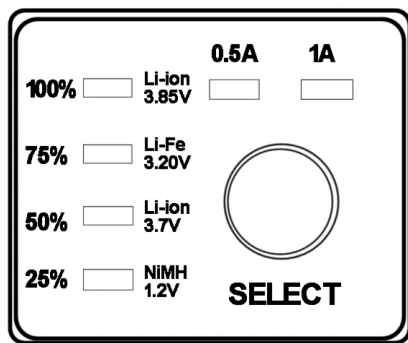
使用说明书

### 一、充电器要求及功能:

- ◆ 采用 Micro USB DC 5V 输入,单槽独立充电及管理系统
- ◆ 可供 2 种充电电流选择 (500mA /1000mA)
- ◆ LED 显示充电状态 25% 50% 75% 100%
- ◆ 可自动识别锂电(Li-ion)电池及镍氢(Ni-MH)电池和手动选择磷酸铁理(Liepo4) 电池,(自动识别 1.2V/3.7V 电池,手动选择 3V/3.85V 电池)
- ◆ 有 0V 电压激活功能,1.6-2.2V 不能充电
- ◆ 有过充过放,短路,智能识别坏电池及反接电池检测保护。
- ◆ 充电模式,恒流恒压
- ◆ 采用 DC 输入,充电器工作电源为 5V-1A (Micro 扞头)
- ◆ 带标准 5V/1000 mA USB 自动识别输出功能,

### 二、按键及功能的描述

- ◆ 充电器有一个按键,选择充电电流,很容易使用的电流按键。在任何情况下按住选择键并保持 2 秒钟 500mA 转换 1000mA 充电电流,轻按选择键改变充电电池,当选定需要充电电池时(例 3V 3.85V) 5 秒钟进入充电状态。
- ◆ 充电器接上 5V 电源,充电器所有的 LED 瞬间全亮,如果电池未放入充电操,500mA (LED) 显示,检测到坏电池 LED 灯闪烁。
- ◆ 充电器接上电池时,自动识别锂电 3.7V(Li-ion) 及镍氢 1.2V(Ni-MH)。
- ◆ 磷酸铁理 3.0V(Liepo4) 及锂电 3.85V(Li-ion) 需手动选择,当充电选定后 5 秒钟进入充电状态。当系统默认充电后,轻按选择键查询电池类型及不能改变其它功能
- ◆ LED 显示参考图



### 三、电气技术参数:

- ◆ 输入电源: Micro USB DC 5V/1A
- ◆ 输出电压: 4.2V  $\pm$  1% / 5V
- ◆ 输出电流: 500mA/1000mA
- ◆ 恒压充电,截止电流: <100m A;
- ◆ 外接电源待机电流: <15.0m A;

#### 四、USB 输出功能：

- ◆ USB 端口输出空载电压：4.90-5.30V；
- ◆ 输出电流：1000 m A；
- ◆ 空载电流:<1m A；
- ◆ 负载 1000m A 电流时，其端口输出电压：4.75-5.25V；
- ◆ 停止输出保护电压：3.0±0.1V；

#### 五、兼容电池：

Li-ion / IMR: 18650, 18490, 18350, 17670, 17500, 16340(RCR123), 14500, 10440

#### 六、充电器尺寸

- ◆ 113mm× 38mm× 32mm(长/宽/高)
- ◆ 重量: 45g (不含电池、电源线)



Design and made in China

获取更多资讯请联系您的经销商